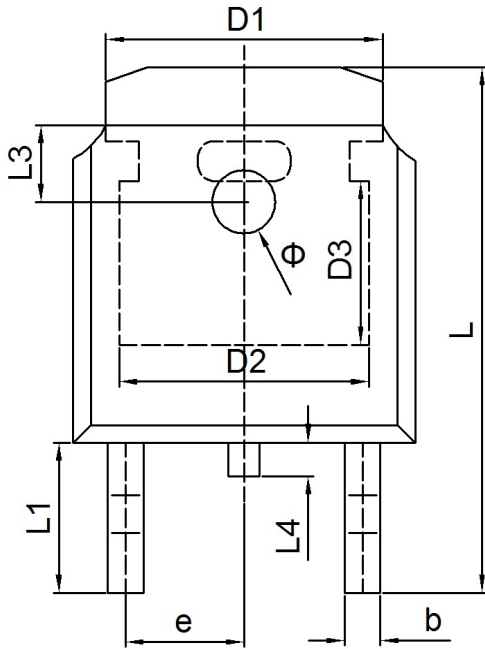
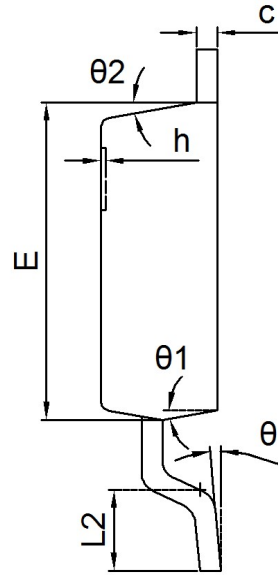


POD#	PODKX-1
REV#	Rev.A

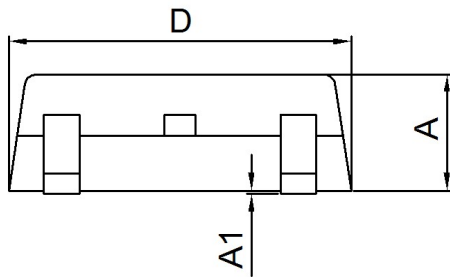
TO252-2L PACKAGE OUTLINE DRAWING



Top View



Side View



Side View

SYMBOL	MIN	MAX
A	2.20	2.40
A1	0.00	0.127
b	0.64	0.74
c	0.46	0.58
D	6.50	6.70
D1	5.334 REF	
D2	4.826 REF	
D3	3.166 REF	
E	6.00	6.20
L	9.90	10.30
L1	2.888 REF	
L2	1.40	1.70
L3	1.60 REF	
L4	0.60	1.00
e	2.286 TYP	
h	0.00	0.20
φ	1.10	1.30
θ	0°	8°
θ1	9° TYP	
θ2	9° TYP	

Unit in mm

RECOMMENDED LAND PATTERN

